



R100C-1 Carbon Monoxide (CO) Alarm

Keep your family safe from the dangers of CO

Conforms to BS EN 50291-1:2018 Standard BS EN 50291-2:2019 Standard R100C-

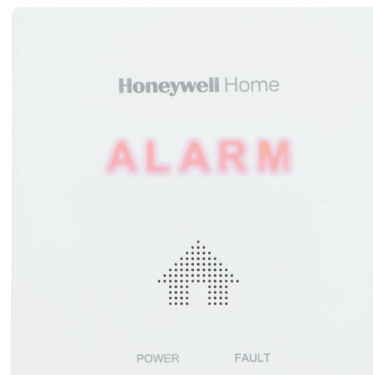
[Visit Plumb2u](#)

[See product](#)

The Dangers of Carbon Monoxide



Carbon Monoxide (CO), not to be confused with Carbon Dioxide (CO₂), is an invisible, odourless and tasteless gas that is toxic to humans and animals. In the UK alone, thousands of people are treated in hospital for CO poisoning every year. It is often referred to as the “Silent Killer” because we can’t smell it, taste it or see it. The initial symptoms of CO poisoning are tiredness and headaches, similar to a cold or flu, but long exposure, or high levels, will lead to confusion, fatigue and unconsciousness, and can be fatal within hours.



Toxic gas



Odourless

How is Carbon Monoxide produced and who is at risk?

CO is produced when appliances that use carbon-based fuels malfunction and don't burn correctly, or have blocked or broken flues. Gas ovens and boilers, open fires, BBQs and car exhausts can all pose a CO risk to your family. Who is at risk? Everyone is at risk of CO poisoning in the home, but children, the elderly, and pets are extremely vulnerable.

Ensure fossil fuel-burning appliances are serviced regularly and install a CO alarm alongside each one in a property.



Invisible



Tasteless

Visit [Plumb2u](#)

See product

Life-Saving Features

Alarm levels

EN50291 defines CO level at which the device must signal an alarm. The higher the CO concentration, the quicker the device will start an alarm. This is because CO health risk is a function of CO concentration and exposure time.

- 50 ppm: Alarm within 60 to 90 minutes
- 100 ppm: Alarm within 10 to 40 minutes
- 300 ppm: Alarm within 3 minutes



Super slim design

At just 25mm, this is one of the thinnest CO alarm on the market, making it compact, easy to install and beautifully designed to fit into any home.



10 year lifespan / maintenance free operation

Our R100C-1 comes with a ten year battery to give you peace of mind. The only maintenance required is an occasional clean.

10 YEAR

Battery life

Red “ALARM” for the deaf or hearing-impaired

In addition to its loud alarm, R100C-1 flashes the word ‘ALARM’ in bright red letters, to warn deaf or hearing-impaired occupants of danger.



Alarm memory

If your alarm is triggered when you're away from home, the red light will flash for seven days or until the button is pressed, to warn you as soon as you return.



Alarm hush

You may want to mute the loud 85dB alarm, e.g. when calling the emergency services. Pressing the Alarm Hush button will mute the alarm for a few minutes. The alarm light will continue to flash as long as the unit detects a threat.



IP44 grade water and dust protection

The IP44 protection lets you install the device in bathrooms as well as outdoor spaces, such as conservatories, sheds and patios, where there may be damp or dusty conditions.

IP44

Water and dust proof

Fault hush

A typical fault would be a low battery. The alarm will flash the fault light and beep once per minute. The Fault Hush allows you to mute the beep for 12 hours. This period can be extended.



Easy touch button

The whole surface of the R100C-1 is the TEST/MUTE button, making it much quicker and easier to operate.



Sleep easy with Do Not Disturb

Special sensors in the alarm detect ambient light levels, and dim the green ‘Power’ light to match them, giving you a good night's sleep.



End-of-life signal

CO alarms should be exchanged after their end-of-life date. The lifetime is mainly determined by the CO sensor (in case of R100C - 10 years). EN50291 requires all CO alarms to have an end-of-life signal, which is implemented in all Honeywell Home CO alarms.



Tamper-proof

Landlords want to ensure that alarms cannot be deactivated by tenants. R100C-1 has sealed batteries that cannot be easily removed. Also, removal of an installed alarm requires a tool.



Visit [Plumb2u](#)

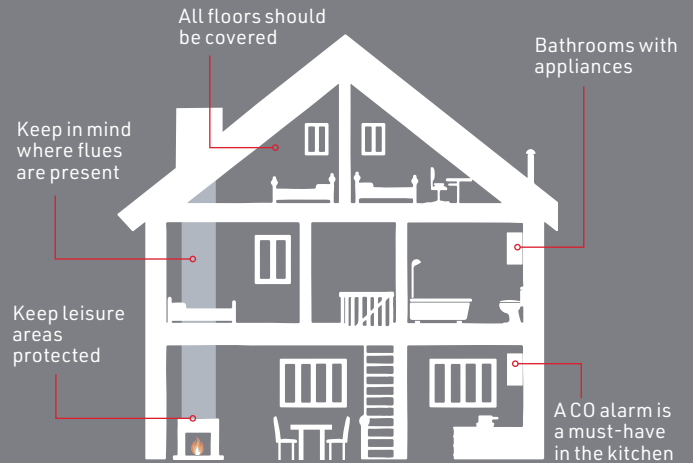
See product

Easy to install

Carbon Monoxide has a slightly lower density than air and so tends to accumulate near the ceiling. Ideally, an alarm should be fitted in every room containing a fuel-burning appliance. It is strongly recommended to fit alarms in bedrooms and in rooms where you spend a lot of time. We also recommend at least one CO alarm on every floor of a multi-story house. For studio flats, caravans or boats - single living spaces - the alarm should be positioned as far from cooking and heating appliances as possible and close to where the occupant sleeps.

Full recommendations can be found in EN50292, a guide on selection, installation, use and maintenance of residential Carbon Monoxide alarms.

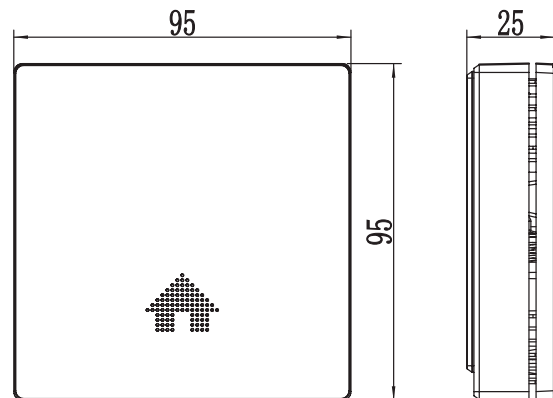
Detailed installation instructions are in the manual included with every Honeywell Home CO alarm.



Specifications

Model:	R100C-1
Gas Detected:	Carbon Monoxide
Sensor Technology:	Electrochemical Cell
Third Party Approvals:	EN50291-1:2018 EN50291-2:2019
Type Of Device:	R100C-1
Co Alarm Sensitivity Setting:	50 ppm: Alarm between 60 to 90 minutes 100 ppm: Alarm between 10 to 40 minutes 300 ppm: Alarm within 3 minutes
Other Compliances:	RoHS, REACH
Lifetime:	10 years
Temperature:	-10 C to +45 C
Humidity:	25 - 95% RH (non-condensing)
IP Rating:	IP44
Power Supply:	Long life lithium battery, 3 V, sealed for the life of the product (no replacement necessary)
Visual Indicators:	Power: Green LED Alarm: Red LED - large text message Fault: Amber LED
Audible:	>85 dB @ 3 m
Detection Range:	Max. 40 m ² within a room

Dimensions:	95 x 95 x 25 mm
Weight:	120 g
Installation:	Wall mount, ceiling
Type:	Carton box with euro hole
Dimensions:	120 x 35 x 120 mm
Scope Of Supply:	CO alarm. Mounting kit: Instruction manual



Resideo Technologies, Inc.

Ademco 1 Ltd.,
200 Berkshire Place
Winnersh Triangle,
Berkshire,
RG41 5RD
UNITED KINGDOM

For more information

resideo.com

© 2021 Resideo Technologies, Inc.

Honeywell Home

by **resideo**
Visit **Plumb2u**

See product